

## AR2 SERIES CIRCUIT PROTECTION

### Single Pole Auto-Reset

#### •Technical data

- Current rating range 3~20A
- Input voltage rating 12/24 VDC; 14/28VDC
- Compliances SAE J553
- Contact Endurance 125Vac X150% of rated current >500 cycles  
125Vac X200% of rated current >200 cycles
- Insulation Resistance >100MOHM (DC 500V)
- Dielectric Strength > 1,500VAC/min.
- Breaking Capacity 4 times rated current
- Automotive Type Auto- Reset; 12VDC Automotive Type I
- Reset Time Within 60 SEC



#### •Mechanical/Environmental Data

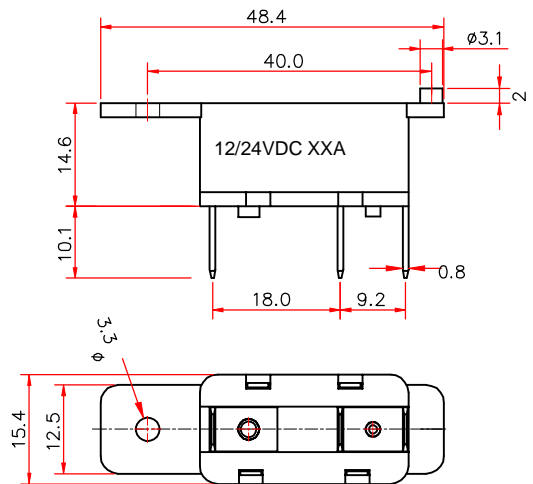
- Operating Ambient Temperature: -10°C to +60°C
- Storage Temperature Rating: -40°C to +100°C.
- Termination: 250"(6.3mm) quick connects or solder terminals

#### •Typical applications

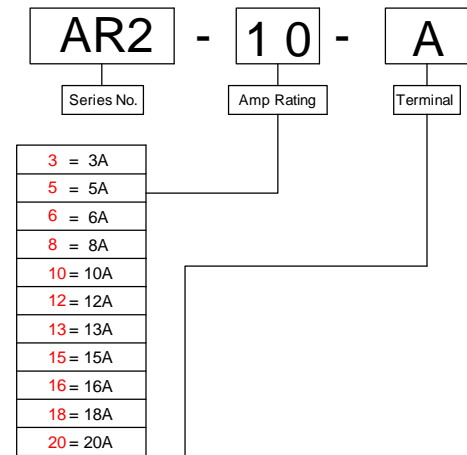
Battery chargers, trucks, buses, RV's, trolling motors, etc.

#### •Calibration(at25°C)

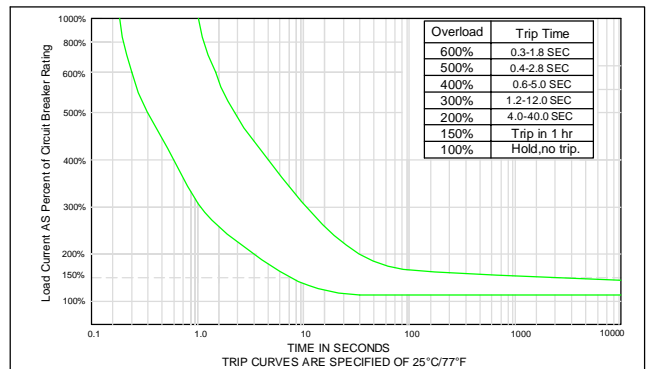
- 100% of Rated Current: Hold , No Trip
- 150% of Rated Current: Trip Within 1 Hour.
- 200% of Rated Current: 4.0-40.0 SEC Trip
- 300% of Rated Current: 1.2-12.0 SEC Trip



#### •AR2 Order Guide



#### •AR2 3~20A Trip Curves



#### • Temperature Derating Curves

