

88D Series Plugs with overload protectors



•Technical data

•Plugs

- Rating 15A 125VAC
- Insulation Resistance >100MOHM (DC 500V)
- Dielectric Strength > 2,000VAC/min.
- Housing Material Thermoplastic 94V-2 ~ 94V-0

•Protectors

- Rating 3A~15A 125/250VAC
- Insulation Resistance >100MOHM (DC 500V)
- Dielectric Strength > 1,500VAC/min.
- Interrupting Capacity 125/250VAC x 1,000A(UL 1077)
- Breaking Capacity 6 times rated current
 - Insulation co-ordination Rated impulse withstand voltage 2.5kV



•Mechanical/Environmental Data

- Operating Ambient Temperature: -10°C to +60°C
- Termination: 250"(6.35mm) quick connects or solder terminals
- Mounting: Various options. See Ordering Information and drawings

•Compliant with Rohs

The product accord with the requirement of ROHS(2011/65/EU)
Contacts use Exmpted item of RoHS Directive 2010/571/EU 8(a)

•Compliant with REACH, PAHS, PH1, PH2, PH3

•Typical applications

Tarnsforms, Motors, Battery cchargers, Power supplies, appliances, extra low voltage systems, machinery.

•Calibration(at25°C)

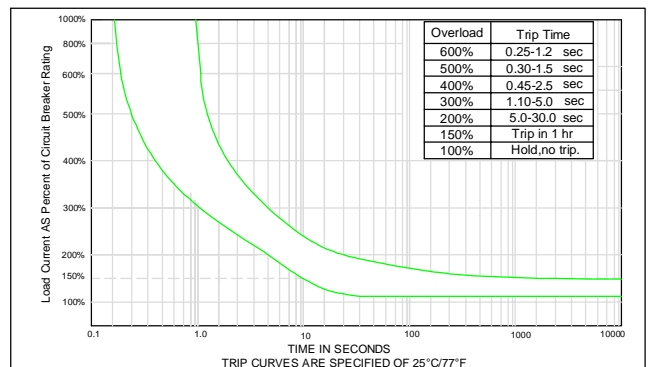
- 100% of Rated Current: Hold , No Trip
- 150% of Rated Current: Trip Within 1 Hour.
- 200% of Rated Current: 5-30 sec Trip
- 300% of Rated Current: 1.5-5.0 sec Trip

•Approval

- | Approval & File No. | Rated current | Rated voltage |
|---------------------|---------------|---------------|
| UL E305186 vol.1 | 15A | 125VAC |
| cUL E305186 vol.2 | 3A-16A | 125/250VAC |

•How to Order

88D Series no.	-XX- Protectors Rating Amp	1 Operating	A Cover & bracket	B Protectors Button type	1 Plugs Terminal type
3A.....15A					
1 =Plug(C14)+protectors 2 =Plug(C14)+protectors+switch					
A =Snap IN B =Screw					
B =Black button 1 =Black button print Amp					
1 	2 	3 	4 	5 	6



•Ambient Temperature Correction Factor

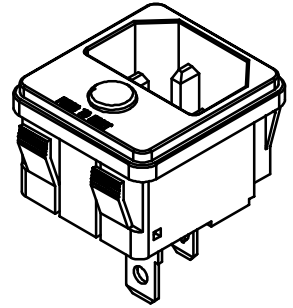
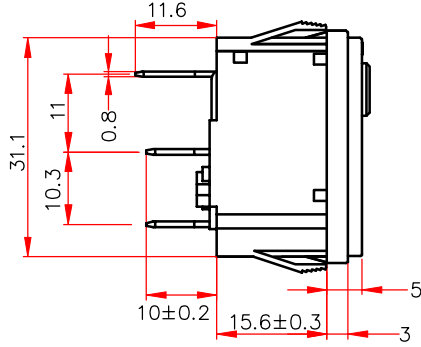
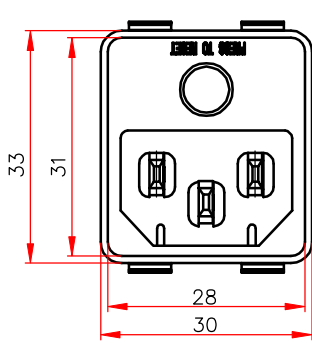
Ambient temperature	-10°C	0°C	10°C	25°C	35°C	40°C	50°C	60°C
Multiplication factor	*1.30	*1.20	*1.10	1.00	*0.94	*0.85	*0.73	*0.68

The time/current characteristic curve depends on the ambient temperature prevailing. In order to eliminate nuisance tripping. Please multiply the current breaker current ratings by the derating factor shown below.

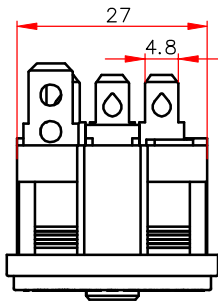
Example : Normal Continuous Current = 50A
Ambient Temperature = 45°C
Multiplication Factor = 0.85
Recommended Rating=50A*0.85=58.8A

•Max.Internal Resistance

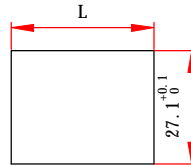
Amp rating	Max resistance
3.0 - 5.0Amp	<0.225 Ohms
6.0 - 8.0Amp	<0.175 Ohm
9.0 - 12.0Amp	<0.125 Ohm
13.0 - 16.0Amp	<0.050 Ohm



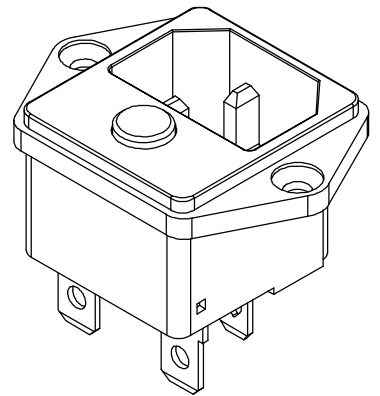
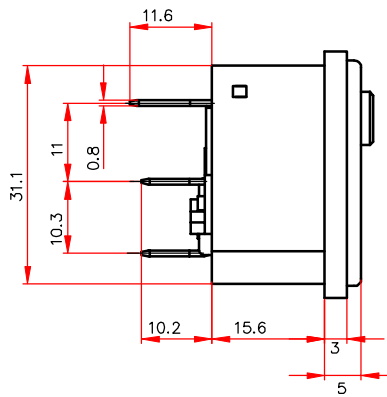
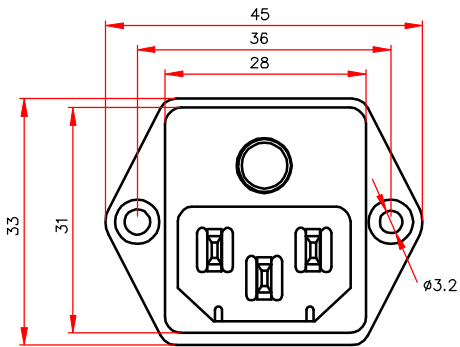
88D-15-1AB1



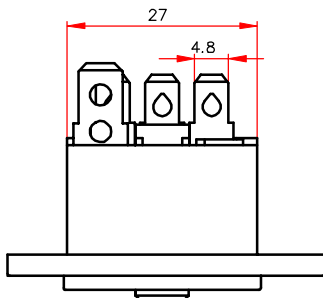
Panel Hole Size
(For Reference)



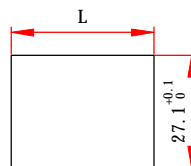
L	Panel Thickness
34.0~34.2	0.75-1.25
34.2~34.4	1.25-2.00
34.4~34.6	2.00-3.00



88D-15-1BB1



Panel Hole Size
(For Reference)



L	Panel Thickness
34.0~34.2	0.75-1.25
34.2~34.4	1.25-2.00
34.4~34.6	2.00-3.00