

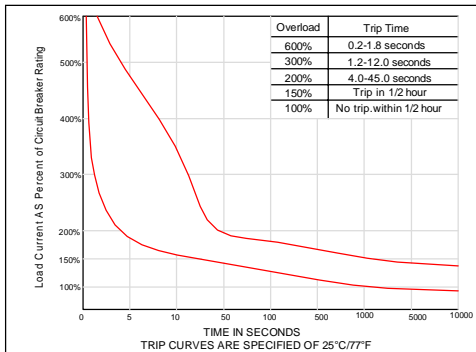
102 SERIES CIRCUIT PROTECTION

Manual Reset (Type III)/ Auto Reset (Type I)
Single Pole Thermal Type Breakers

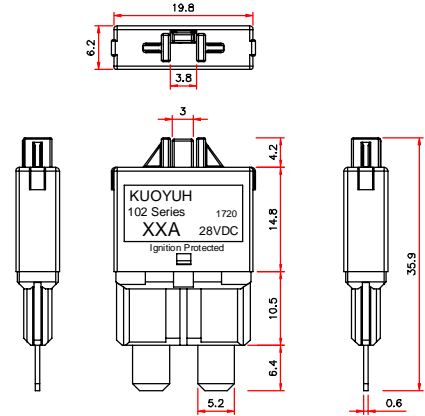
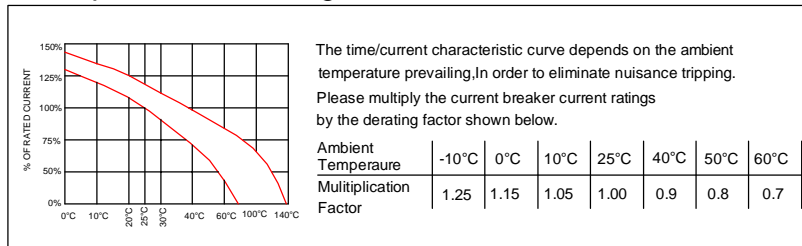
SPECIFICATIONS

- Rating: 5-30A, 28VDC.
- Interrupt Rating: 2,000A / 28VDC.
- Operating Temperature Rating: -30°C to 75°C
- Storage Temperature Rating: -30°C to 105°C
- Materials: UL-Rated 94V-0 thermoplastic body.
Tin-plated copper alloy terminals.
- Termination: 5.2mm wide blades compatible with
ATC type fuse blocks.
- Marking: Cover is color-coded to amperage ratings.
- Compliances: SAEJ553; SAEJ1171
- Consult factory for trip time curves.

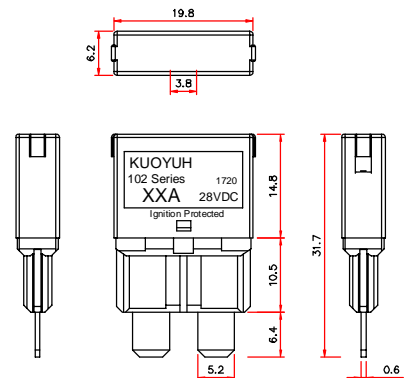
• Trip Time Curves



• Temperature Derating Curves



Manual Reset (Type III)
* Dimension in mm:



Auto Reset (Type I)
* Dimension in mm:

• Order Guide

Series Rating Operation
102 100 M

M= Type III (Manual Reset)
A= Type I (Auto Reset)

050 = 5A=L.T. Brown
060 = 6A=Moss Green
075 = 7.5A=Brown
100 = 10A=Red
150 = 15A=Blue
200 = 20A=Yellow
250 = 25A=White
300 = 30A=Green

* The specification subject to change without notice. The drawing is for reference only.